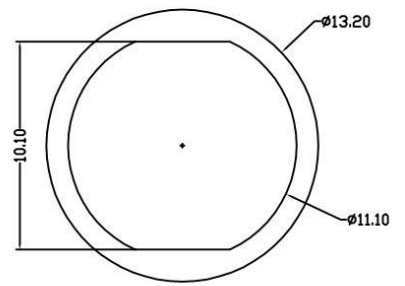
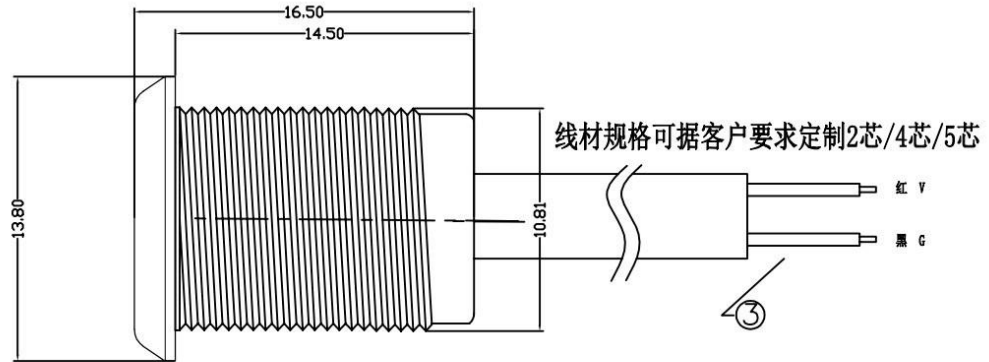
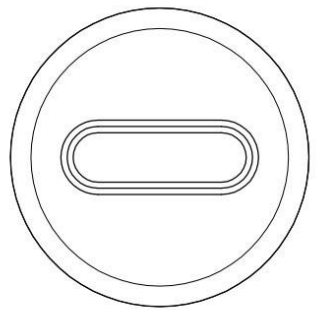
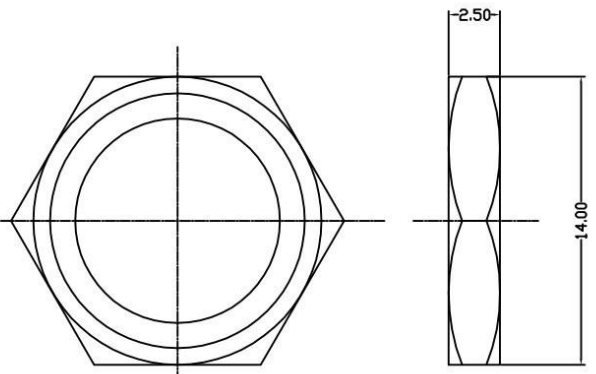


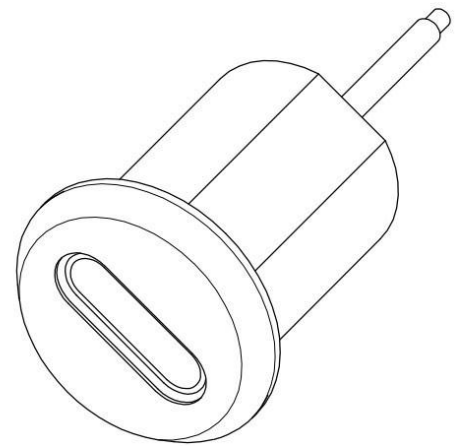
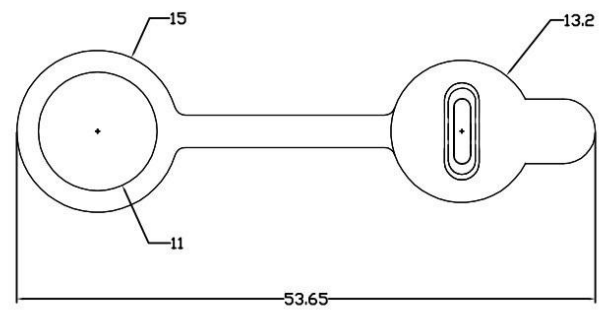
REV.	ECN	DESCRIPTION	MDF'D	DATE
A0		新订图面	Lee	2020.03.18



机板开孔尺寸



螺母标配铁镀白锌，可定制不锈钢/铜。



SPECIFICATION

1. Rating: DC5V/9V 3A:
2. Contact resistance: $\leq 0.03 \Omega$:
3. Insulation resistance: $\geq 100M \Omega$ (DC250V)
4. Withstand voltage: 500VAC:
5. Insertion and extraction force: 5-20N
6. Life test: 10000 cycles:

料号: CHT-TS023X-HXXX-PX
 "TS"表示TYPEC
 "023"焊线系列
 B=(吸塑盒); R=(袋装)
 "H"表示高度
 表示尺寸
 表示PIN数

品名 (ITEM NO) TYPE C 2P焊线带外螺牙		页码 (SHEET)	1/1	比例 (SCALE) 1:1
		单位 (UNIT):	mm	
图号 (DWG NO) CHT-TS023R-H200-P2		设计 (DESIGN)	LKH	未注公差 TOLERANCE UNSPECIFIED
		审核 (CHECKED)	TYJ	0.±0.30 0.±10° 0.00±0.20 0.±8° 0.000±0.10 0.00±5°
		核准 (APPROVED)		

These drawings and specifications are owned by CHUANGYIXUN Electronics (Shenzhen) Co., LTD., and shall not be copied. It may not be reproduced or used in any way without the prior written consent of our company .

由 Antodesk 教育版产品制作