

**Style**  
M8 Socket, shielded  
3 pin  
A-coding

**Ratings**  
Voltage: 60 V  
Current: 3 A

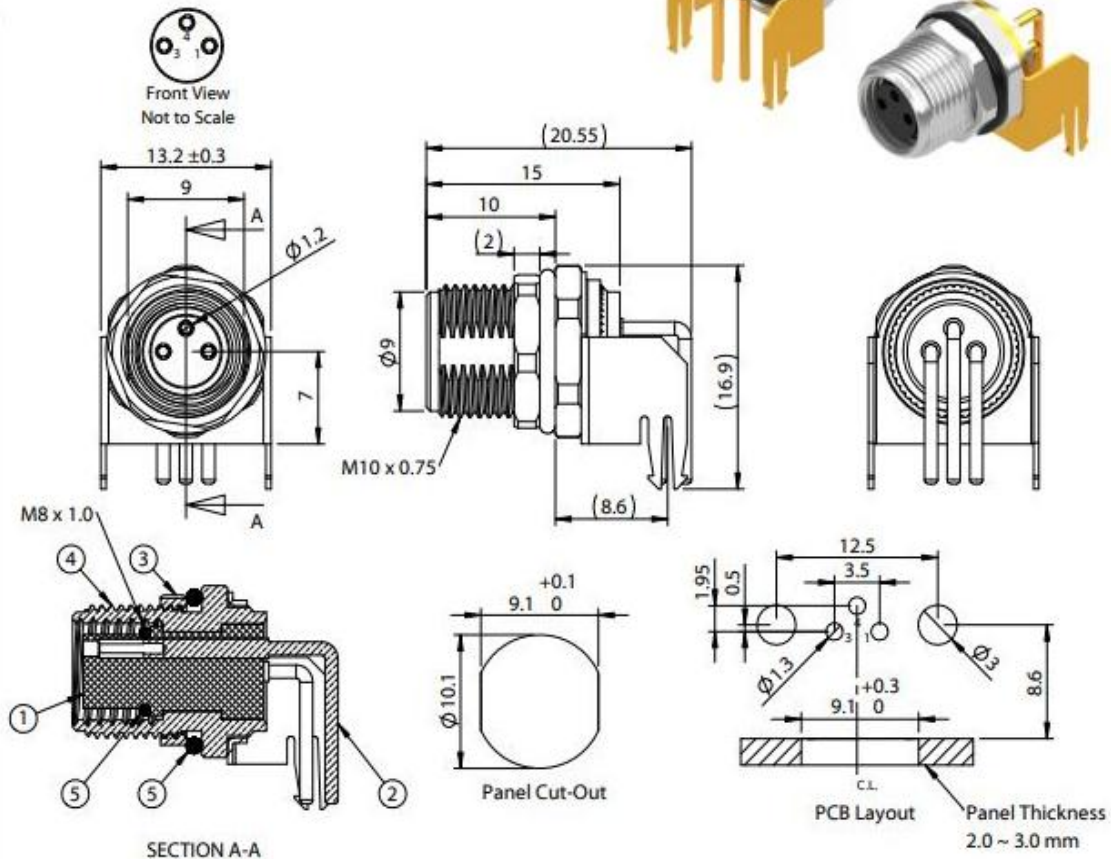
**Operating Temperature Range**  
-40~105 °C


**Materials**  
① Insulator: PA66, UL 94 HB, black  
② Pin: C3604 brass, gold flashing  
③ Nut: C3604 brass, nickel plated  
④ Shell: C3604 brass, nickel plated  
⑤ O-ring: Nitrile rubber, black & green

**Electrical Requirements**  
Dielectric strength: 1 min @ 500 Vac  
Insulation resistance: 100 MΩ @ 500 Vdc  
Contact resistance: 10 mΩ or less

**Mechanical Requirements**  
Life cycle: 1000 mating cycles minimum

**Environmental Requirements**  
Salt spray test: 35 °C, relative humidity 90-95%, 5% NaCl mist for 24 hrs. Wash parts after test. Maintain mechanical requirements and a contact resistance of less than 10 mΩ.  
Waterproof: IP67



|           |         |                 |  |  |   |
|-----------|---------|-----------------|--|--|---|
| Revision: | Date:   | Description:    | Prepared:  | Notes:   |   |
| A         | 8/23/21 | Initial Release | JD<br><small>Digitally signed by JD<br/>Date: 2021.12.29<br/>15:08:31 -0800</small>              | RoHS compliant   |   |
|           |         |                 | Verified:  | Function test: no open, no short circuit, no intermittent  |   |
|           |         |                 | PB<br><small>Digitally signed by PB<br/>Date: 2021.01.10<br/>08:32:34 -0800</small>              |  |   |
|           |         |                 | Dimensions are in millimeters.<br>Tolerances:<br>X: ± 0.3 mm<br>X.X: ± 0.1 mm<br>X.XX: ± 0.05 mm | Description:<br>Connector, 3 pin M8 A-code socket, 8x20.55 mm, gold plated, PCB mount, 90°, IP67 | Size: Part number:<br>A 54-00273  |
|           |         |                 |  |  | Scale: 2:1   Sheet 1 of 1 |