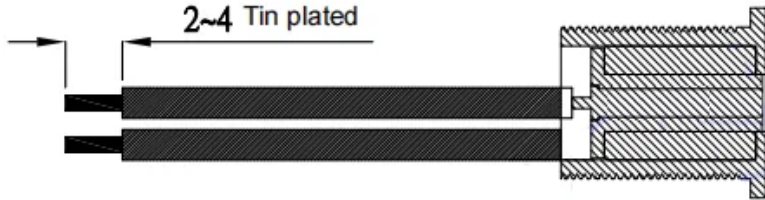
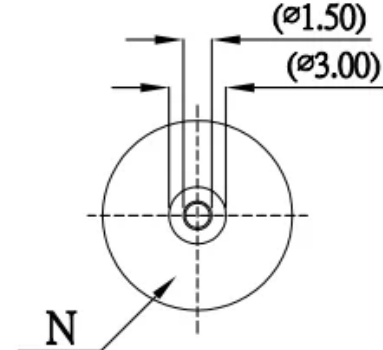
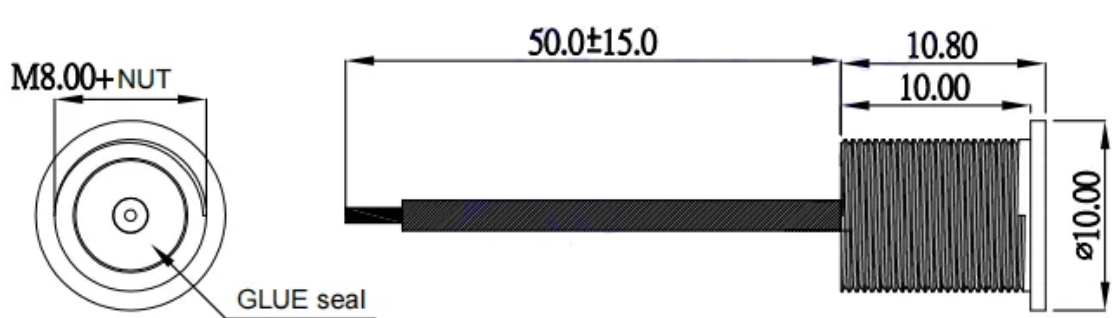


Note:  
 ...Materials:  
 Copper:Brass C3604 ,plating 60~100U" Ni ;  
 Housing: Black HTN+30%GF UL94 V-0;  
 Cable:22AWG\*2C 3 A.  
 Magnet:NdFeB N52.Plating Ni;  
 ...Electrical:  
 Voltage:12 V.  
 Current:3.0 A Max.  
 Contact resistance:50mΩ Max (PIN).  
 100% open and short test.  
 ... ROHS or REACH compliant product.  
 ... Salt spray test:48 H.  
 ... & Key inspection dimension .

REV	Description	ECN NO	DATE
T0		—	2022/06/27



剖面



SHENZHEN YIWEI TECHNOLOGY CO.,LTD		Nuits:	mm	Tolerance	Drawn:
		Scale:	1:1	0-6 ±0.05	Checked:
		Size:	A4	7-50 ±0.10	Approved:
Title:	Magnet Cable	Sheet:	1/1	>50 ±0.20	Other tolerance unless otherwise noted (其他公差除非另有说明)
Part NO:	MG0185F-M8	Porj:	⊕ □	Angle:	