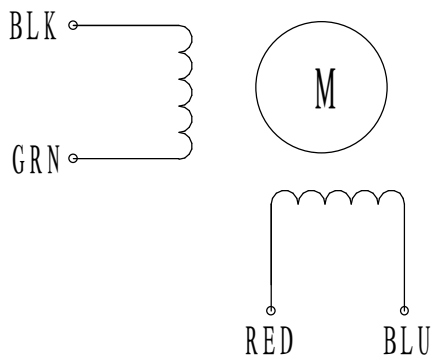


HIGH TORQUE HYBRID STEPPING MOTOR SPECIFICATIONS

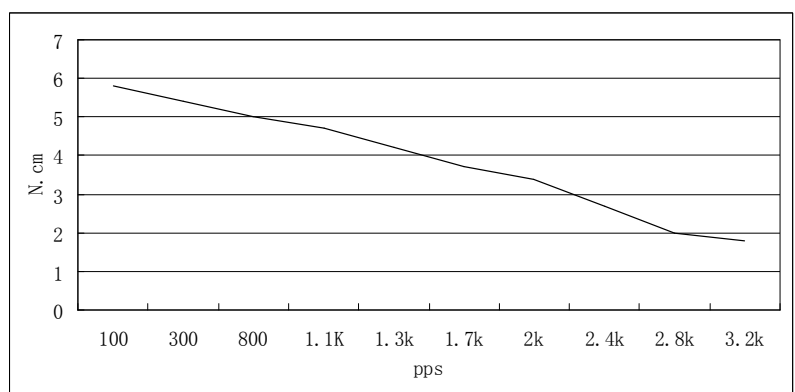
General specifications		Electrical specifications	
Step Angle (°)	1.8	Rated Voltage (V)	7.28
Temperature Rise (°C)	80 Max (rated current, 2 phase on)	Rated Current (A)	0.28
Ambient Temperature (°C)	-20~+50	Resistance Per Phase ($\pm 10\%$ Ω)	26
Number of Phase	2	Inductance Per Phase ($\pm 20\%$ mH)	19.2
Insulation Resistance (M Ω)	100 Min (500VDC)	Holding Torque (N.cm)	6.5
Insulation Class	Class B		
Max.radial force (N)	28 (20mm from the flange)		
Max.axial force (N)	10		

● Wiring Diagram :



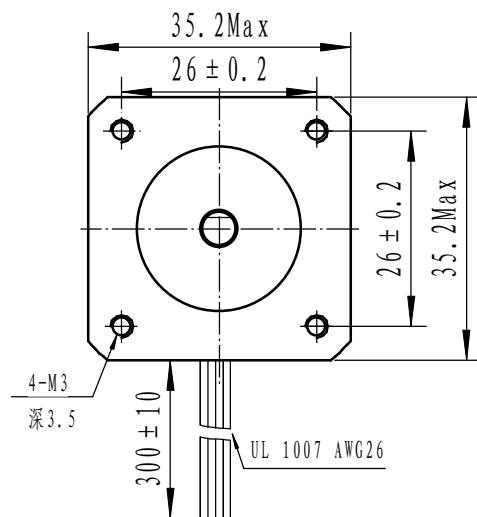
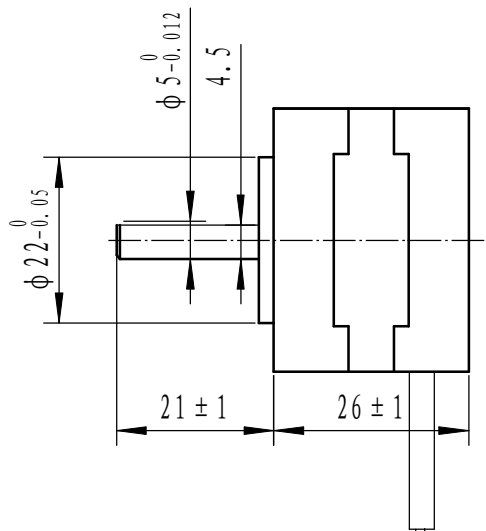
● Pull out torque curve:

VOLTAGE: 24VAC, CONSTANT CURRENT: 0.28, HALF STEP



● Dimensions:

(unit=mm)



REV	REVISIONS	DESCRIPTION	BY	DATE	SY35ST26-0284A	TECHNICAL CONDITIONS
DRAW	2012/12/28				CHANGZHOU SONGYANG MACHINERY & ELECTRONICS NEW TECHNIC INSTITUTE	030026011
CHECK						
APPROVE						

This document was created with Win2PDF available at <http://www.win2pdf.com>.
The unregistered version of Win2PDF is for evaluation or non-commercial use only.
This page will not be added after purchasing Win2PDF.