

# ESP32-PICO-KIT V4 Getting Started Guide

This user guide shows how to get started with the ESP32-PICO-KIT V4 mini development board. For description of other versions of the ESP32-PICO-KIT check [ESP32 Hardware Reference](#).

## What You Need

- 1 × [ESP32-PICO-KIT V4 mini development board](#)
- 1 × USB A / Micro USB B cable
- 1 × PC loaded with Windows, Linux or Mac OS

If you like to start using this board right now, go directly to section [Start Application Development](#).

## Overview

ESP32-PICO-KIT V4 is a mini development board produced by [Espressif](#). At the core of this board is the ESP32-PICO-D4, a System-in-Package (SIP) module with complete Wi-Fi and Bluetooth functionalities. Comparing to other ESP32 chips, the ESP32-PICO-D4 integrates several peripheral components in one single package, that otherwise would need to be installed separately. This includes a 40 MHz crystal oscillator, 4 MB flash, filter capacitors and RF matching links in. This greatly reduces quantity and costs of additional components, subsequent assembly and testing cost, as well as overall product complexity.

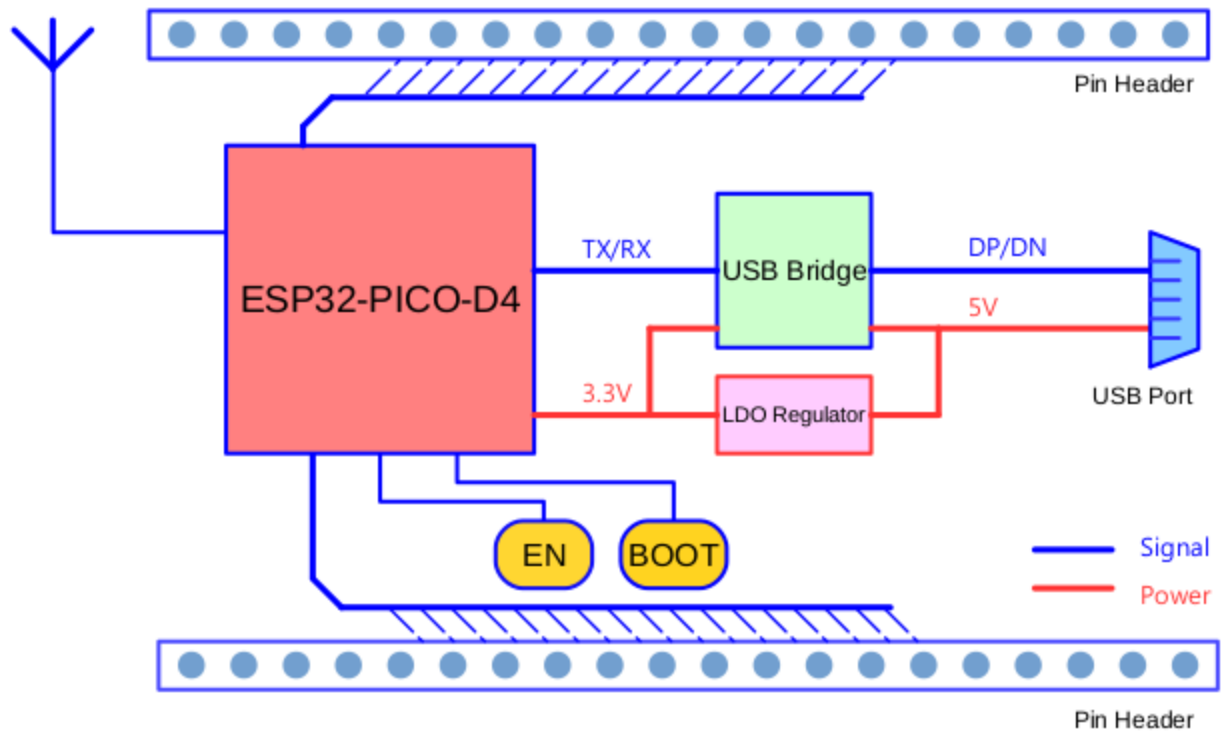
The development board integrates a USB-UART Bridge circuit, allowing the developers to connect the board to a PC's USB port for downloads and debugging.

For easy interfacing, all the IO signals and system power on ESP32-PICO-D4 are led out through two rows of 20 x 0.1" pitch header pads on both sides of the development board. To make the ESP32-PICO-KIT V4 fit into mini breadboards, the header pads are populated with two rows of 17 pin headers. Remaining 2 x 3 pads grouped on each side of the board besides the antenna are not populated. The remaining 2 x 3 pin headers may be soldered later by the user.

### Note

The 2 x 3 pads not populated with pin headers are internally connected to the flash memory embedded in the ESP32-PICO-D4 SIP module. For more details see module's datasheet in [Related Documents](#).

The board dimensions are 52 x 20.3 x 10 mm (2.1" x 0.8" x 0.4"), see section [Board Dimensions](#). An overview functional block diagram is shown below.



ESP32-PICO-KIT V4 functional block diagram

## Functional Description

The following list and figure below describe key components, interfaces and controls of ESP32-PICO-KIT V4 board.

### ESP32-PICO-D4

Standard ESP32-PICO-D4 module soldered to the ESP32-PICO-KIT V4 board. The complete system of the ESP32 chip has been integrated into the SIP module, requiring only external antenna with LC matching network, decoupling capacitors and pull-up resistors for EN signals to function properly.

### LDO

5V-to-3.3V Low dropout voltage regulator (LDO).

### USB-UART Bridge

A single chip USB-UART bridge provides up to 1 Mbps transfers rates.

### Micro USB Port

USB interface. It functions as the power supply for the board and the communication interface between PC and ESP32-PICO-KIT V4.

### 5V Power On LED

This light emitting diode lits when the USB or an external 5V power supply is applied to the board. For details see schematic in [Related Documents](#).

### I/O

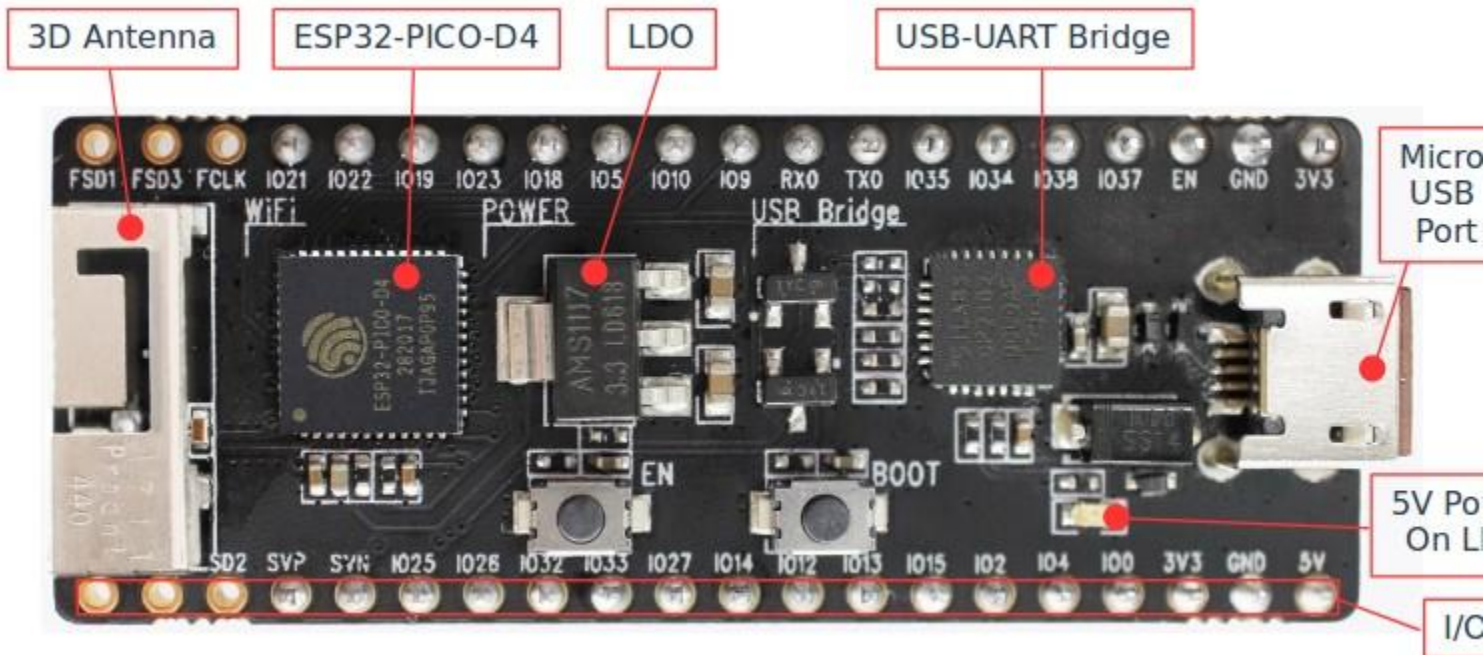
All the pins on ESP32-PICO-D4 are broken out to the pin headers on the board. Users can program ESP32 to enable multiple functions such as PWM, ADC, DAC, I2C, I2S, SPI, etc. For details please see section [Pin Descriptions](#).

## BOOT Button

Holding down the Boot button and pressing the EN button initiates the firmware download mode. Then user can download firmware through the serial port.

## EN Button

Reset button; pressing this button resets the system.



*ESP32-PICO-KIT V4 board layout*

## Power Supply Options

There following options are available to provide power supply to the ESP32-PICO-KIT V4:

1. Micro USB port, this is default power supply connection
2. 5V / GND header pins
3. 3V3 / GND header pins

### Warning

Above options are mutually exclusive, i.e. the power supply may be provided using only one of the above options. Attempt to power the board using more than one connection at a time may damage the board and/or the power supply source.

## Start Application Development

Before powering up the ESP32-PICO-KIT V4, please make sure that the board has been received in good condition with no obvious signs of damage.

To start development of applications, proceed to section [Get Started](#), that will walk you through the following steps:

- [Setup Toolchain](#) in your PC to develop applications for ESP32 in C language
- [Connect](#) the module to the PC and verify if it is accessible
- [Build and Flash](#) an example application to the ESP32
- [Monitor](#) instantly what the application is doing

## Pin Descriptions

The two tables below provide the **Name** and **Function** of I/O headers on both sides of the board, see [ESP32-PICO-KIT V4 board layout](#). The pin numbering and header names are the same as on a schematic in [Related Documents](#).

### Header J2

No.	Name	Type	Function
1	FLASH_SD1 (FSD1)	I/O	GPIO8, SD_DATA1, SPID, HS1_DATA1 (1) , U2CTS
2	FLASH_SD3 (FSD3)	I/O	GPIO7, SD_DATA0, SPIQ, HS1_DATA0 (1) , U2RTS
3	FLASH_CLK (FCLK)	I/O	GPIO6, SD_CLK, SPICLK, HS1_CLK (1) , U1CTS
4	IO21	I/O	GPIO21, VSPIHD, EMAC_TX_EN
5	IO22	I/O	GPIO22, VSPIWP, U0RTS, EMAC_TXD1
6	IO19	I/O	GPIO19, VSPIQ, U0CTS, EMAC_TXD0
7	IO23	I/O	GPIO23, VSPID, HS1_STROBE
8	IO18	I/O	GPIO18, VSPICLK, HS1_DATA7
9	IO5	I/O	GPIO5, VSPICS0, HS1_DATA6, EMAC_RX_CLK
10	IO10	I/O	GPIO10, SD_DATA3, SPIWP, HS1_DATA3, U1TXD
11	IO9	I/O	GPIO9, SD_DATA2, SPIHD, HS1_DATA2, U1RXD

No.	Name	Type	Function
12	RXD0	I/O	GPIO3, U0RXD (4) , CLK_OUT2
13	TXD0	I/O	GPIO1, U0TXD (4) , CLK_OUT3, EMAC_RXD2
14	IO35	I	ADC1_CH7, RTC_GPIO5
15	IO34	I	ADC1_CH6, RTC_GPIO4
16	IO38	I	GPIO38, ADC1_CH2, ADC_PRE_AMP (2b) , RTC_GPIO2
17	IO37	I	GPIO37, ADC_PRE_AMP (2a) , ADC1_CH1, RTC_GPIO1
18	EN	I	CHIP_PU
19	GND	P	Ground
20	VDD33 (3V3)	P	3.3V power supply

## Header J3

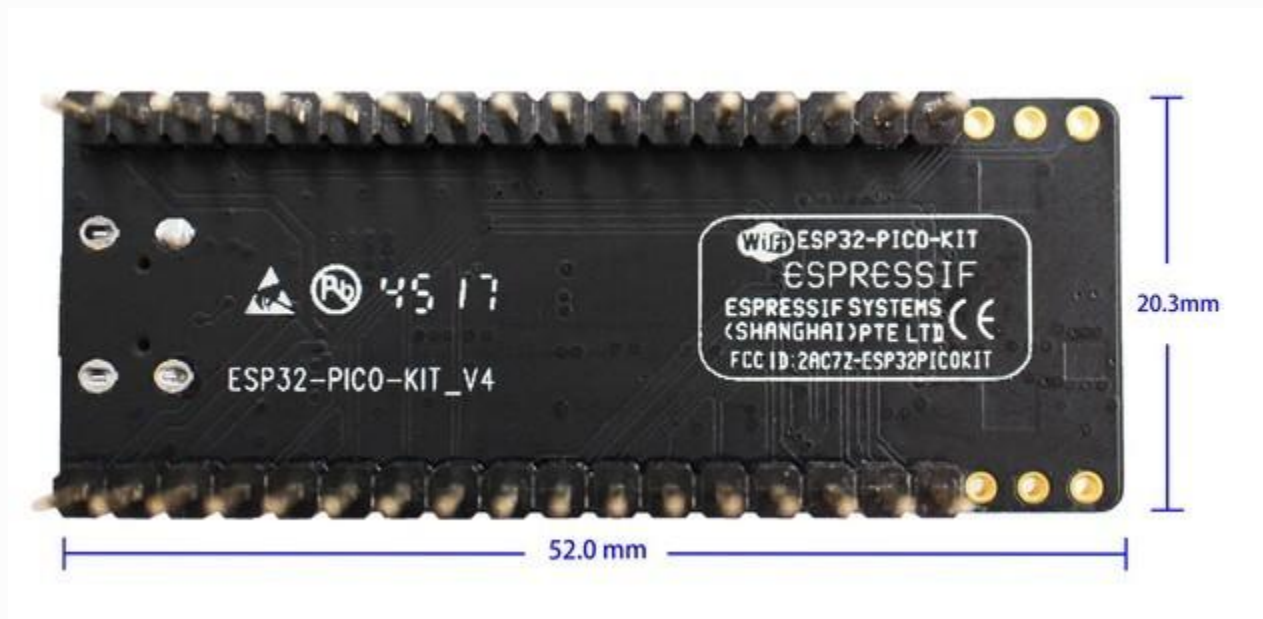
No.	Name	Type	Function
1	FLASH_CS (FCS)	I/O	GPIO16, HS1_DATA4 (1) , U2RXD, EMAC_CLK_OUT
2	FLASH_SD0 (FSD0)	I/O	GPIO17, HS1_DATA5 (1) , U2TXD, EMAC_CLK_OUT_180
3	FLASH_SD2 (FSD2)	I/O	GPIO11, SD_CMD, SPICS0, HS1_CMD (1) , U1RTS
4	SENSOR_VP (FSVP)	I	GPIO36, ADC1_CH0, ADC_PRE_AMP (2a) , RTC_GPIO0
5	SENSOR_VN (FSVN)	I	GPIO39, ADC1_CH3, ADC_PRE_AMP (2b) , RTC_GPIO3
6	IO25	I/O	GPIO25, DAC_1, ADC2_CH8, RTC_GPIO6, EMAC_RXD0
7	IO26	I/O	GPIO26, DAC_2, ADC2_CH9, RTC_GPIO7, EMAC_RXD1
8	IO32	I/O	32K_XP (3a) , ADC1_CH4, TOUCH9, RTC_GPIO9
9	IO33	I/O	32K_XN (3b) , ADC1_CH5, TOUCH8, RTC_GPIO8
10	IO27	I/O	GPIO27, ADC2_CH7, TOUCH7, RTC_GPIO17 EMAC_RX_DV
11	IO14	I/O	ADC2_CH6, TOUCH6, RTC_GPIO16, MTMS, HSPICLK, HS2_CLK, SD_CLK, EMAC_TXD2
12	IO12	I/O	ADC2_CH5, TOUCH5, RTC_GPIO15, MTDI (5) , HSPIQ, HS2_DATA2, SD_DATA2, EMAC_TXD3
13	IO13	I/O	ADC2_CH4, TOUCH4, RTC_GPIO14, MTCK, HSPID, HS2_DATA3, SD_DATA3, EMAC_RX_ER
14	IO15	I/O	ADC2_CH3, TOUCH3, RTC_GPIO13, MTDO, HSPICS0 HS2_CMD, SD_CMD, EMAC_RXD3
15	IO2	I/O	ADC2_CH2, TOUCH2, RTC_GPIO12, HSPIWP, HS2_DATA0, SD_DATA0
16	IO4	I/O	ADC2_CH0, TOUCH0, RTC_GPIO10, HSPIHD, HS2_DATA1, SD_DATA1, EMAC_TX_ER

No.	Name	Type	Function
17	IO0	I/O	ADC2_CH1, TOUCH1, RTC_GPIO11, CLK_OUT1 EMAC_TX_CLK
18	VDD33 (3V3)	P	3.3V power supply
19	GND	P	Ground
20	EXT_5V (5V)	P	5V power supply

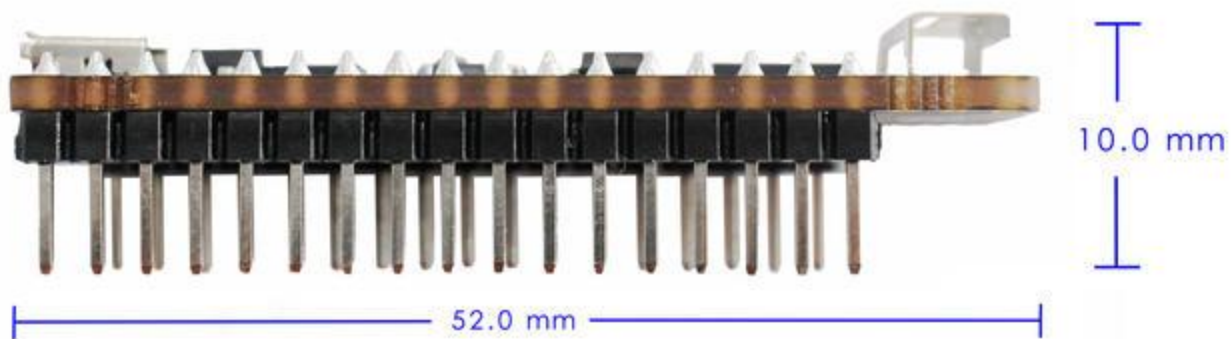
### Notes to [Pin Descriptions](#)

1. This pin is connected to the flash pin of ESP32-PICO-D4.
2. When used as ADC\_PRE\_AMP, connect 270 pF capacitors between: (a) SENSOR\_VP and IO37, (b) SENSOR\_VN and IO38.
3. 32.768 kHz crystal oscillator: (a) input, (b) output.
4. This pin is connected to the pin of the USB bridge chip on the board.
5. The operating voltage of ESP32-PICO-KIT's embedded SPI flash is 3.3V. Therefore, the strapping pin MTDI should hold bit "0" during the module power-on reset.

## Board Dimensions



*ESP32-PICO-KIT V4 dimensions - back*



*ESP32-PICO-KIT V4 dimensions - side*